

D

C

B

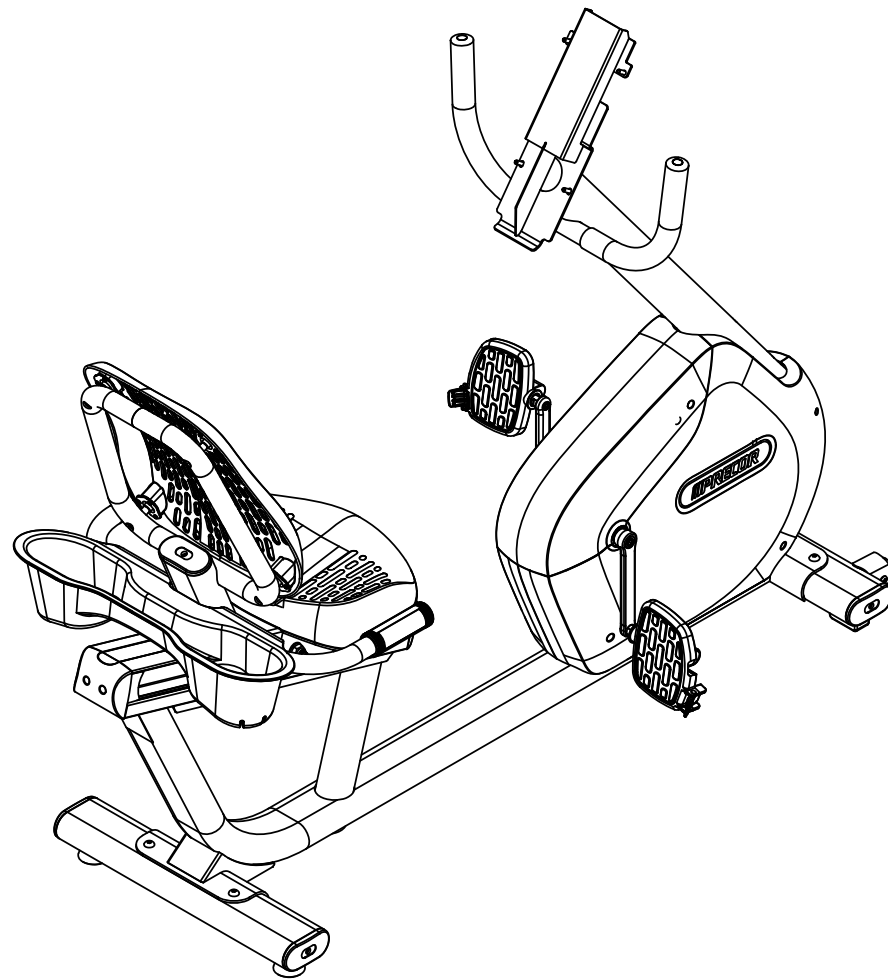
A

4

3

2

1



PRODUCT:				PRECOR		
RBK 13						
DRWN BY	7/15/14	KAW	SIZE	PAGE	DWG. NO.	SUBREV
CS	7/14/14	BG	A	1 OF 3	302302-101	F

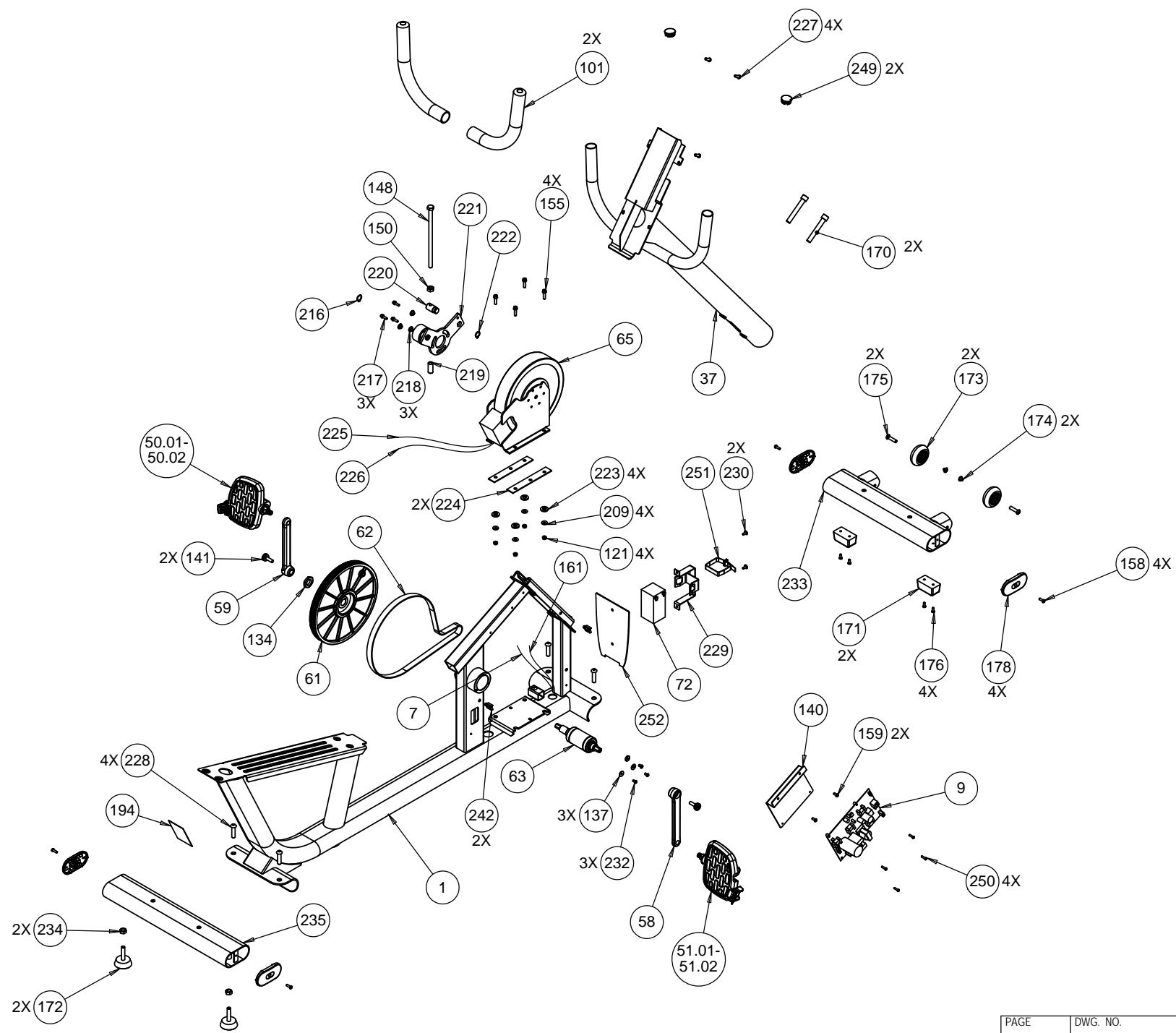
DRAWING TEMPLATE REV. B

D

C

B

A



D

C

B

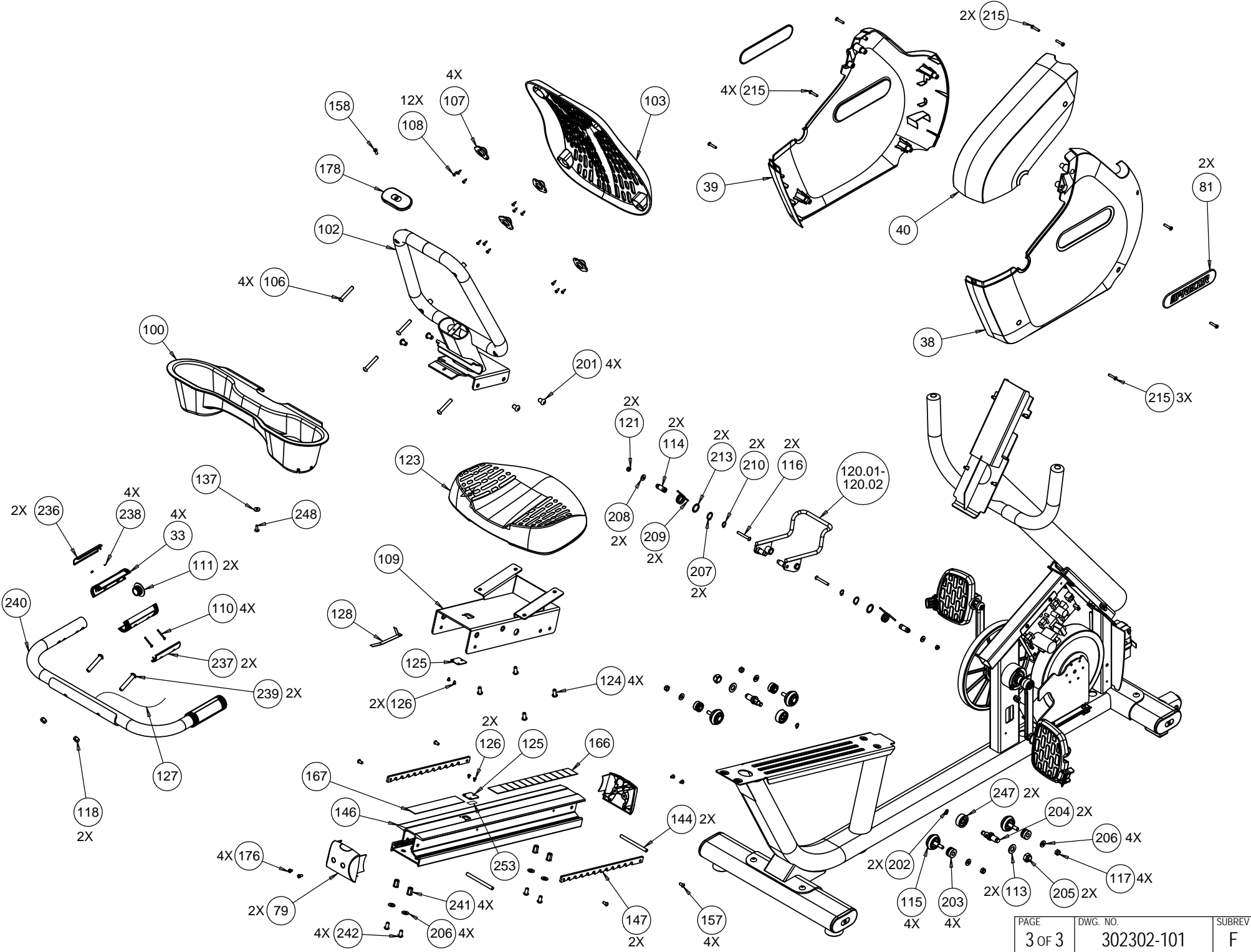
A

4

3

2

1



#	OEM Part #	Description
1	RX3AP0-000	FRAME ASS'Y (WELDMENT, RBK), RX P/N
4	49714-401	PCA, DISPLAY, CV2 (Serial# Needed)
4.01	40984-102	ASSY, UPCA & SW,615 VERTICAL BIKE,W
6	302061-550	ASSEMBLY,DISPLAY FACE,BIKE,615,IT
6	302061-250	ASSEMBLY,DISPLAY FACE,BIKE,615,JA
6	302061-300	ASSEMBLY,DISPLAY FACE,BIKE,615,ES
6	302061-100	ASSEMBLY,DISPLAY FACE,BIKE,615,EN
6	302061-450	ASSEMBLY,DISPLAY FACE,BIKE,615,RU
6	302061-150	ASSEMBLY,DISPLAY FACE,BIKE,615,FR
7	RX34XE-000	ASSY,CBL,MOD,8P8C,1830MM(72 in.)
9	RX3AW2-000	ASSY,PCA&SW,615 VERTICAL BIKE,LCSPA
33	RX2PVD-000	HANDLE(REXON P/N 10C42PVD) HR GRIP
37	RX3APH-102	CONSOLE MAST ASS'Y (WELDMENT), RX P
38	RX3DQZ-000	ASSY, RIGHT COVER, RBK13
39	RX3D4E-000	ASSY, LEFT COVER, RBK13
40	RX3ARL-000	TOP COVER, RX P/N 10J53ARL
50.01	RX3BKJ-102	LEFT PEDAL ASS'Y, RX P/N 10J53BKJ,
50.02	RX3HGJ-000	LEFT PEDAL ASS'Y, RX P/N 10J53HGJ,
51.01	RX3BKL-102	RIGHT PEDAL ASS'Y, RX P/N 10J53BKL,
51.02	RX3HGK-000	RIGHT PEDAL ASS'Y, RX P/N 10J53HGK,
56	48708-101	REAR COVER, DISPLAY-C, W/O HANDLEBA
58	RX3ARU-000	CRANK, R

59	RX3ARV-000	CRANK, L
61	RX20L2-000	DRIVE PULLEY ASS'Y
62	RX3AY-T000	DRIVE BELT,POLY-V BELT, PJ1041
63	58055-101	KIT, CRANK SHAFT ASSEMBLY, RBK/UBK1
65	RX3AT7-000	MAGNETIC BRAKE ASS'Y
72	RX3D53-000	BATTERY,SLA,12V,1.2AH,.187 TABS, RX
79	RX3ARP-000	RAIL PLATE COVER, RX P/N 10J53ARP
81	RX3BML-000	TRADE-MARK LABEL (PRECOR METAL BADG
100	RX3ARS-000	WATER BOTTLE HOLDER, RX P/N 10J53AR
101	RX3AUR-000	FOAM, RX P/N 10J53AUR
102	RX3AQG-000	SEAT BACK FIXING ASS'Y, RX P/N 10J5
103	RX3ARD-000	SEAT BACK, RX P/N 10J53ARD
106	RX3AZ2-000	HEX. SOC. TRUSS HD. SCREW, M8*1.25-
107	RX3ARE-000	LINKING SEAT, RX P/N 10J53ARE
108	RX3DNC-000	CR. RE. PAN HD. TAPPING SCREW, BLAC
109	RX3AQ2-000	SEAT FRAME ASS'Y, RX P/N 10J53AQ2
110	RX3B0Q-000	CR. RE. PAN HD. SCREW, M3*0.5-30
111	RX2HK7-000	END CAP
113	RX3B0R-000	FLAT WASHER, 14*26-2.3
114	RX3ARA-000	LOCATION PIN, RX P/N 10J53ARA
115	58061-101	KIT, SEAT CARRIAGE WHEEL, RBK13
116	RX3AYZ-000	HEX. SOC. TRUSS HD. SCREW, M6*1.0-4

117	RX0KR4-000	LOCK NUT(REXON P/N 2705FZD108)
118	RX22RR-000	HEX. NUT, M10*1.5,T=8 ZINC
120.01	RX3AQQ-000	AXLE SEAT ASS'Y., RX P/N 10J53AQQ
120.02	RX3HGH-000	AXLE SEAT ASS'Y., RX P/N 10J53HGH
121	RX0KR3-000	LOCK NUT,M6*1-6,RX 2705FZD106
122	RX3AQW-000	SPRING-R, RX P/N 10J53AQW
123	RX3ART-000	SEAT, RX P/N 10J53ART
124	RX3B4R-000	HEX. SOC. TRUSS HD. SCREW, 5/16-18X
125	RX3ARC-000	CLAMP-CORD, RX P/N 10J53ARC
126	RX0KF5-000	CR. -RE. PAN HD. SCREW, M4*0.7-6
127	RX35DC-000	ASSY,CBL,HHHR Y TO GRIPS,RBK,620M
128	RX3AVW-000	ASSY,CBL,FFC,4C,410MM(16 in.)
134	RX3AYV-000	HEX. NUT, M20*1.0-6, RX 27013AYV
137	RX36DL-000	WASHER, FLAT, 5*16-2
140	RX3CA1-000	CONTROLLER ATTACHMENT PLATE, RX P/N
141	RX3B0H-000	CRANK BOLT, RX P/N 10J53B0H
144	RX3ARB-000	CLAMP SHOE
146	58053-101	KIT, SEAT CARIAGE RACK ASSEMBLY, RB
147	RX3AR8-000	SET PLATE
148	RX3AZ5-000	HEX. HD. BOLT, M10*1.5-210
150	RX2T9D-000	HEX. NUT, M10*1.5-8
155	RX3BE3-000	HEX.SOCKET HD.CAP SCREWS, M6*1.0-25

157	RX3AZ1-000	HEX. SOC. TRUSS HD. SCREW, M6*1.0-1
158	RX3AZ7-000	CR. RE. PAN HD. SCREW, M5*08.16
159	RX0KFG-000	CR. RE. PAN HD. SCREW, M5*0.8-12
161	RX3AVV-000	ASSY,CBL,HHHR TO DISPLAY,W/FERRITE,
162	RX3AVL-000	ASSY,CBL,BATTERY,2C,16AWG,QK DISC,1
166	RX3BU8-000	RAIL STICKER-FRONT, RX P/N 10J53BU8
167	RX3BU9-000	RAIL STICKER-REAR, RX P/N 10J53BU9
170	RX3B0C-000	SHCS, M12*1.75-80
171	RX3ARR-000	LEVELING PAD, RX P/N 10J53ARR
172	RX26LH-000	LEVELING PAD(REXON P/N 10B826LH)
173	RX2XUK-000	ROLLING WHEEL
174	RX3B0K-000	SCREW-MALE, RX P/N 10J53B0K
175	RX3B0J-000	SCREW-FEMALE, RX P/N 10J53B0J
176	RX2RYH-000	CR. RE. PAN HD. SCREW, M5*0.8-12
178	RX3ARQ-000	END CAP
200	RX3CCR-000	HARDWARE BAG ASS'Y (HW KIT, RBK), R
201	RX3AZ3-000	HEX. SOC. TRUSS HD. SCREW
202	RX0JE8-000	C-RING
203	RX3AQZ-000	SHAFT SLEEVE, RX P/N 10J53AQZ
204	RX3AQY-000	TENSION AXLE, RX P/N 10J53AQY
205	RX3B0N-000	NUT CHUCK, M14*2.0-14
206	RX0J6G-000	FLAT WASHER, 8.2*18-2.0

207	RX0JEF-000	C-RING, A-18
209	RX0J6P-000	FLAT WASHER, 6*16-2
209	RX3AQX-000	SPRING-L, RX P/N 10J53AQX
210	RX0JEA-000	C-RING, A-12
213	RX20K8-000	FLAT WASHER, M8*1.25-1
215	RX3AZ6-000	CR. RE. PAN HD. SCREW, M5*0.8-25,(R
216	RX0JEE-000	C-RING
217	RX3AZ8-000	HEX.SOCKET HD.CAP SCREWS, M5*0.8-18
218	RX21X8-000	SPACER
219	RX3B7R-000	INSULATION SLEEVE
220	RX2H4J-000	RETAINING RING
221	RX3SG2-000	IDLER WHEEL ASS'Y
222	RX22LR-000	C-RING, A-16
223	RX3B7J-000	INSULATING SLEEVE, RX P/N 10J43B7J
224	RX3B7H-000	INSULATE PLATE, RX P/N 10J43B7H
225	RX3AW8-000	ASSY,CBL,BRAKE,2C,310MM(12 in.)
226	RX3AW4-000	ASSY,CBL,GENERATOR,3C,460MM(18 in.)
227	RX3B4S-000	BHCS, 1/4-20UNC X 3/4
228	RX3AZ4-000	HEX. SOC. TRUSS HD. SCREW, M10*1.5-
229	RX3D5G-000	BATTERY BRACKET ASS'Y, RX P/N 10J53
230	RX2DUD-000	CR.-RE. TRUSS HD. SCREW, M5*0.8-12
232	RX3BV8-000	HEX. SOC. TRUSS HD. SCREW, M5*0.8-1

233	RX3APR-000	FRONT STABILIZER ASS'Y, RX P/N 10J5
234	RX3BUG-001	REGULATORY LABEL, RBK13, RX P/N 10J
235	RX3APW-000	REAR STABILIZER ASS'Y, RX P/N 10J53
236	RX2PVZ-000	SENSOR STEEL(REXON P/N 10A82PVZ)
237	RX3BSW-000	SENSOR STEEL, (BOT, SM TAB, W/HOLE)
238	RX3B0P-000	HEX. NUT, M3*0.8-2.4
239	RX3AZ0-000	HEX. SOC. TRUSS HD. SCREW,RX 26083A
240	RX3AQA-000	SEAT HANDLEBAR ASS'Y, RX P/N 10J53A
242	RX3DWX-000	HEX. SOC. TRUSS HD. SCREW,M8*1.25-2
243	RX2SDE-000	CORD CLAMP
245	RX21KX-000	FLAT WASHER, 4*8-1.5, BLACK
247	RX3C9G-000	ADJUST WHEEL, RX P/N 10J53C9G
248	RX3CA2-000	HEX. SOC. TRUSS HD. SCREW, M5*0.8-1
249	RX21HW-000	END CAP
250	RX0KF8-000	CR. RE. PAN HD. SCREW, M4*0.7-16
251	RX3D66-000	VELCRO STRAP, RX P/N 10J53D66
252	RX3D7S-000	PLASTIC PLATE (SHIELD), RX P/N 10J5
370	49778-101	FOAM, ANTI-STATIC 1 in. X 1 in. X .5 in. THI
643	48778-102	LABEL, SNAP DOME, 3 BUTTON BIKE
646	48947-103	ASSY, PCA & SW, DISPLAY-C, METRICS,
647	35755-020	ASSY, CABLE, HHR TO DISPLAY, 20 in.
651	303875-101	LABEL,CAUTION,NON-TREAD,EN/AR

677	49744-102	SUPPORT, PLASTIC HR ADAPTER
678	MGCN016-100	MACHINE SCREW, 8-32 X 1, PAN HEAD
679	48714-101	ACCESS PANEL, HEADPHONE JACK
680	49401-102	BOARD, CHR & WIRELESS, SALUTRON
681	48712-104	BOOK SUPPORT, DISPLAY-C,BLACK
683	48602-009	ASSY,CABLE,6C,.1 CTR,1-1,GOLD,9 in.
684	48707-101	BACK PANEL, DISPLAY-C, W/O USB
686	48713101	TOP, DISPLAY-C, BLANK
997	51125-201	KIT,INSTRUCTIONAL LABEL,ISRAEL,RBK/
998	302305-201	LITERATURE KIT, RBK 615 VERTICAL, E